

## Avide LED Ceiling Lamp Recessed Panel Square ALU 24W WW 3000K

<b>Product code:</b>	ACRPWW-S-24W-ALU
<b>Brand link:</b>	<a href="http://avidelighting.com/qr/ACRPWW-S-24W-ALU">avidelighting.com/qr/ACRPWW-S-24W-ALU</a>
<b>ID:</b>	AB-190518
<b>Company name:</b>	Bramcke Hungary Kft.
<b>Company address:</b>	Kisatár utca 17., 4031 Debrecen

QR code:



Date of issue: 2025-01-15

Page: 1/3

### SPECIFICATIONS

EAN code:	5999097913100
Warranty:	3year(s)
Material:	Aluminium
Working temperature:	-20 - +40°C
Packaging:	1/b 20/c 240/p
Certifications:	CE

### TECHNICAL DETAILS

Wattage:	24W
Voltage:	220-240V
Beam angle:	120°
Dimmability:	No
Lumen output:	1 990lm
Color temperature:	3 000K
Lifetime:	25 000h
Energy class:	
Type of LED:	SMD
IP standard:	IP20

### BOX PICTURE



**Avide LED Ceiling Lamp Recessed Panel Square ALU 24W WW 3000K**

**Product code:** ACRPWW-S-24W-ALU  
**Brand link:** [avidelighting.com/qr/ACRPWW-S-24W-ALU](https://avidelighting.com/qr/ACRPWW-S-24W-ALU)  
**ID:** AB-190518  
**Company name:** Bramcke Hungary Kft.  
**Company address:** Kishatár utca 17., 4031 Debrecen



Date of issue: 2025-01-15

Page: 2/3

**PRODUCT SIZE**

Width: 291mm  
 Height: 291mm  
 Cut out size: 280mm

**CARDBOARD BOX**

EAN: 5999097913100  
 Packaging: 1/b 20/c 240/p  
 Dimensions: 300mm x 39mm x 320mm  
 Net weight: 675g  
 Gross weight: 795g

**CARTON**

EAN: 5999097913117  
 Packaging: 1/b 20/c 240/p  
 Dimensions: 630mm x 420mm x 345mm  
 Net weight: 13.5kg  
 Gross weight: 15.9kg

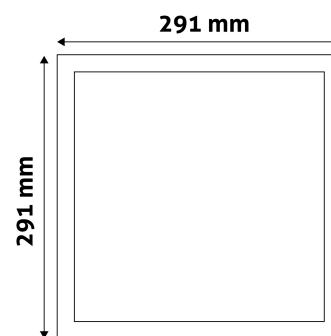
**PALLET EXAMPLE**

Height:  
 Width: 120cm (std Euro pallet)  
 Mepth: 80cm (std Euro pallet)  
 Cartons per pallet: 12carton/pallet  
 Cartons per row:  
 Net weight: 162kg  
 Gross weight: 190.8kg

**PRODUCT PICTURE**



**PRODUCT OUTLINE**



Avide LED Ceiling Lamp Recessed Panel Square ALU 24W WW 3000K

**Product code:** ACRPWW-S-24W-ALU  
**Brand link:** [avidelighting.com/qr/ACRPWW-S-24W-ALU](https://avidelighting.com/qr/ACRPWW-S-24W-ALU)  
**ID:** AB-190518  
**Company name:** Bramcke Hungary Kft.  
**Company address:** Kishatár utca 17., 4031 Debrecen

QR code:



**Date of issue:** 2025-01-15

**Page:** 3/3

PRODUCT DESCRIPTION