

**Avide LED Frosted Filament Globe 10W E27 WW 2700K**

**Product code:** ABLFG27WW-10W-FR  
**Brand link:** [avidelighting.com/qr/ABLFG27WW-10W-FR](http://avidelighting.com/qr/ABLFG27WW-10W-FR)  
**ID:** AB-190518  
**Company name:** Bramcke Hungary Kft.  
**Company address:** Kishatár utca 17., 4031 Debrecen



Date of issue: 2025-01-15

Page: 1/3

**SPECIFICATIONS**

**EAN code:** 5999097910000  
**Warranty:** 3year(s)  
**Socket:** E27  
**Working temperature:** -20 - +40 °C  
**Packaging:** 1/b 100/c 2500/p  
**Certifications:** CE

**TECHNICAL DETAILS**

**Wattage:** 10W  
**Voltage:** 220-240V  
**Beam angle:** 360°  
**Dimmability:** No  
**Lumen output:** 990lm  
**Color temperature:** 2 700K  
**Lifetime:** 25 000h  
**Energy class:** F  
**Type of LED:** Filament  
**CRI:** 80  
**IP standard:** IP20

**BOX PICTURE**



## Avide LED Frosted Filament Globe 10W E27 WW 2700K

**Product code:** ABLFG27WW-10W-FR  
**Brand link:** [avidelighting.com/qr/ABLFG27WW-10W-FR](https://avidelighting.com/qr/ABLFG27WW-10W-FR)  
**ID:** AB-190518  
**Company name:** Bramcke Hungary Kft.  
**Company address:** Kishatár utca 17., 4031 Debrecen

QR code:



Date of issue: 2025-01-15

Page: 2/3

### PRODUCT SIZE

Diameter: 60mm  
Height: 105mm

### CARDBOARD BOX

EAN: 5999097910000  
Packaging: 1/b 100/c 2500/p  
Dimensions: 63mm x 62mm x 145mm  
Net weight: 37g  
Gross weight: 43g

### CARTON

EAN: 5999097910017  
Packaging: 1/b 100/c 2500/p  
Dimensions: 640mm x 325mm x 250mm  
Net weight: 3.7kg  
Gross weight: 4.3kg

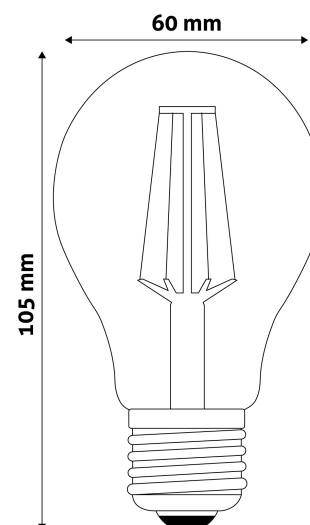
### PALLET EXAMPLE

Height: 162.5cm  
Width: 120cm (std Euro pallet)  
Mepth: 80cm (std Euro pallet)  
Cartons per pallet: 25carton/pallet  
Cartons per row: 5pcs  
Net weight: 92.5kg  
Gross weight: 107.5kg

### PRODUCT PICTURE



### PRODUCT OUTLINE



## Avide LED Frosted Filament Globe 10W E27 WW 2700K

<b>Product code:</b>	ABLFG27WW-10W-FR
<b>Brand link:</b>	<a href="https://avidelighting.com/qr/ABLFG27WW-10W-FR">avidelighting.com/qr/ABLFG27WW-10W-FR</a>
<b>ID:</b>	AB-190518
<b>Company name:</b>	Bramcke Hungary Kft.
<b>Company address:</b>	Kishatár utca 17., 4031 Debrecen



**Date of issue:** 2025-01-15

**Page:** 3/3

### PRODUCT DESCRIPTION

The LED filament products are professionally-designed light sources that can be used to effectively replace traditional light bulbs in most lighting environments.

This vertical line arrangement not only provides high brightness but can also produce a 360 ° projection angle. The advantages of LED lights are clearly visible here, their heat dissipation is low, thus they do not produce unnecessary heat energy, they emit light with maximum efficiency and thus can also be used at places where heating might represent a hazard.

Placement within the lamp shade or higher is the adequate choice for a transparent product. In the case of a transparent product, avoid direct lighting and at such places use types with an opaline shade instead, which provides a pleasant homogeneous light and does not dazzle the eyes.

As opposed to traditional LED technology, in the case of filament products the chips are placed on transparent columns separated from each other and are then covered with phosphorus. This is called COG or Chip on Glass technology. This procedure enables the replacement of traditional light bulbs both aesthetically and in terms of size. They do not flash, sparing they eyes this way. Switching them on and off does not shorten their service life. As they do not contain a filament per se, vibration or shock does not necessarily result in the failure of the light source.

LED lights do not emit light by heating up a metal filament but by means of electrons, thus they have a minimal heat loss. You can save up to 80% energy compared to traditional light bulbs when using LED technology. LED lights produce minimal heat, thus they can also be used at places where heating might represent a hazard.